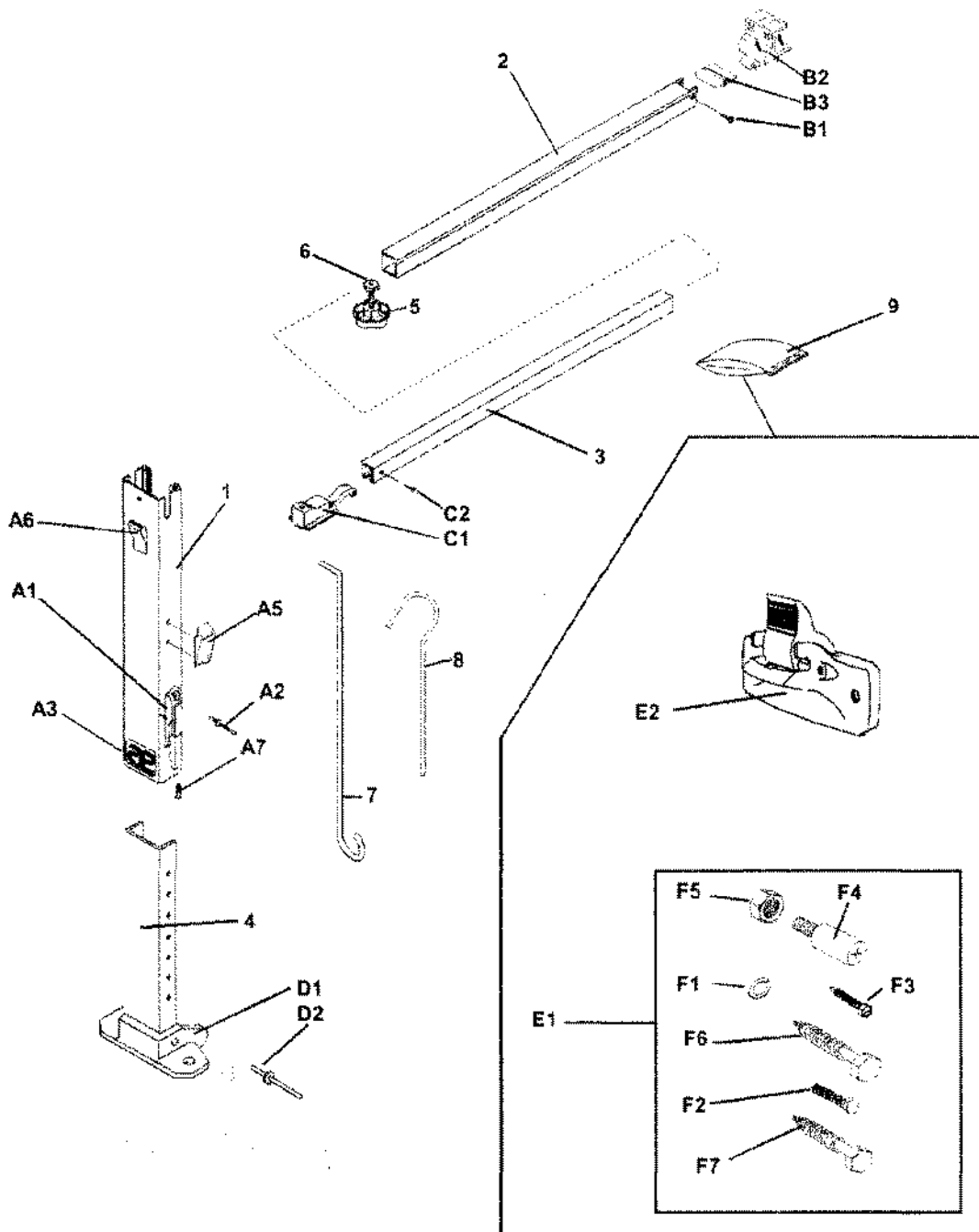


MODEL SERIES 8483000
SEE PAGE 6 FOR 8483000.408(X)

short





MODELS 8483000

MODEL SERIES 8483000
SEE PAGE 7 FOR 8483000.408(X)

INDEX NO.	DESCRIPTION	8483000.001	8483000.002		
		8483000.101##	8483000.102##		
		8483000.401(X)	8483000.402(X)	8483000.405(X)	8483000.407(X)
		8483000.501(X)##	8483000.502(X)##		
1	Main Arm (2 req)	3108220.033(X)	3108220.041(X)	3108220.058(X)	3108220.066(X)
	A1 Handle, Lift	830582.001	830582.001	830582.001	830582.001
	A2 Pop Rive(4req)	308171.020	308171.020	308171.020	308171.020
	A3 Label, A&E	160941.009	160941.009	160941.009	160941.009
	A5 Safety Lock	830587.001	830587.001	830587.001	830587.001
	A6 Kit, Slider	830472.002	830472.002	830472.002	830472.002
	A7 Screw, 6-20x0.5 (2 req)	3107216.008	3107216.008	3107216.008	3107216.008
2	Main Rafter (2 req)	3108219.027(X)	3108219.035(X)	3108219.043(X)	3108219.043(X)
	B1 Rivet, Sem. tube	143002.053	143002.053	143002.053	143002.053
	B2 Bracket, Top Mounting	3108119.003M	3108119.003M	3108119.003M	3108119.003M
	B3 T-Moulding	3108244.009	3108244.009	3108244.009	3108244.009
3	Rafter, Secondary (2 req)	3108316.005(X)	3108316.013(X)	3108316.120(X)	3108316.120(X)
	C1 Kit, Slider	830463	830463	830463	830463
	C2 Rivet, Semi Tube	143002.055	143002.055	143002.055	143002.055
4	Arm, Adjustable (2 req)	3108234.083(X)	3108234.083(X)	3108218.078(X)	3108218.078(X)
	D1 Foot, Die Cast	3108116.009M	3108116.009M	3108116.009M	3108116.009M
	D2 Pop Rivet (2 req)	308171.020	308171.020	308171.020	308171.020
5	Knob, 5- Point (2 req)	3105421.014	3105421.014	3105421.014	3105421.014
6	Nut, Special (2 req)	3104652.007	3104652.007	3104652.007	3104652.007
7	Rod, Pull	830152.102	830152.102	830152.102	830152.102
8	Stake Tent (4 req)	3104257.005	3104257.005	3104257.005	3104257.005
9	Kit, Hardware	3104125.232	3104125.232	3104125.232	3104125.232
	E1 Kit, Hardware	3104852.060	3104852.060	3104852.060	310485.060
	F1 Washer Split (2 req)	3101746.000	3101746.000	3101746.000	3101746.000
	F2 Bolt, 1/4-20 x 1/2"	3104176.015	3104176.015	3104176.015	3104176.015
	F3 Screw, #6-20x0.44 (2 req)	310359.012	310359.012	310359.012	310359.012
	F4 Screw, Shoulder (2 req)	312310.111	312310.111	312310.111	312310.111
	F5 Nut, Lock 1/4-20 (2 req)	317534.006	317534.006	317534.006	317534.006
	F7 Screw, #14x3 (4 req)	3104499.037	3104499.037	3104499.037	310499.037
	F8 Screw, #14x2 (4 req)	3104499.011	3104499.011	3104499.011	3104499.011
	E2 Bracket, Btm. Mtg (2 req)	3108221.007M	3108221.007M	3108221.007M	3108221.007M
10	Tension Rafter##	930039.500(X)	930039.500(X)		
	Cust Opt - Not Req				
	Stand off (Single)	3109623.003	3109623.003	3109623.003	3109623.003
	Stand off (50 Package)	3109623.550	3109623.550	3109623.550	3109623.550

##Note: Tension Rafter is included in the **Heavy Duty Hardware Only**
 Replace (X) with color code off Chart.

COLOR CHART	
B	= Polar White
E	= Colonial White
H	= Mende White
S	= Satin